

AIRIUS[®]

Lighting Solutions



Mozart *(PL)*

Architectural Light
60w - 360w

PRODUCT INFORMATION

PRODUCT INFORMATION

AIRIUS ARCHITECTURAL LIGHT (PL) 60W - 360W

Powerful and compact, the Mozart range is a combination of proprietary thermal management technology, elegant aesthetics and precision optics, designed for applications requiring high output and long distance projection.



UNIT OVERVIEW

	LED Max Power (W):	Typical System Power (W):	System Efficacy:	Typical Luminous Flux (lm):
PL-060	60W	60W	90lm/w	5,400lm
PL-120	120W	110W	90lm/w	9,900lm
PL-180	180W	180W	90lm/w	16,200lm
PL-240	240W	220W	90lm/w	19,800lm
PL-300	300W	280W	90lm/w	25,200lm
PL-360	360W	330W	90lm/w	29,700lm



UNIT SPECIFICATIONS

Light Source:	Lumileds Luxeon TX (default) / Osram Oslon Square / Cree XPG3
Correlated Colour Temp:	3000K, 4000K, 5000K, 5700K, 6500K
Colour Rendering Index:	>70 (or >80 available)
LED Junction Temp:	<75°C (@ Ta=25°C)
Expected Lamp Life:	50,000 Hours
Driver:	Meanwell HLG
Input Voltage Range:	100-305VAC 50/60Hz
Power Factor:	> 0.90
Electrical Class:	Class I
Dimming Control (optional):	0-10V, DALI, Zigbee
Sensor compatible:	-----
Ambient Operating Temp:	-40°C to +45°C
Ambient Storage Temp:	-25°C to +80°C
Driver Tc:	-----
Material:	Aluminium
Optical Cover:	Tempered Glass
Finish:	Black powder coated (customised RAL colour available upon request)

Data provided by manufacturer and is subject to change at anytime

FEATURES & BENEFITS

- Up to 360W and over 40,000 luminous flux
- Unique, fold fin heatsink technology greatly reduces thermal density and maintains a low LED junction temperature
- Full range of optics for long distance projection as narrow as 7°
- RGB Optional
- IP65 weather resistant
- 0-10V or DALI Dimming options and compatible with all leading lighting control systems

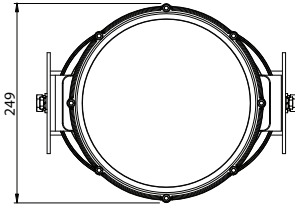
APPLICATIONS

Designed for low or high ceiling, open space applications such as;

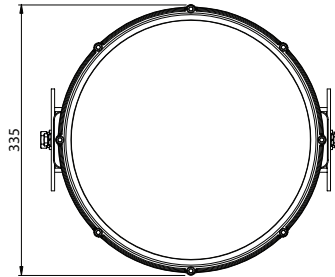
- Building Facades
- Bridges
- Architectural Projection

DIMENSIONS

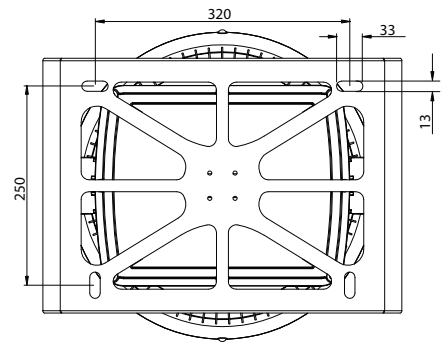
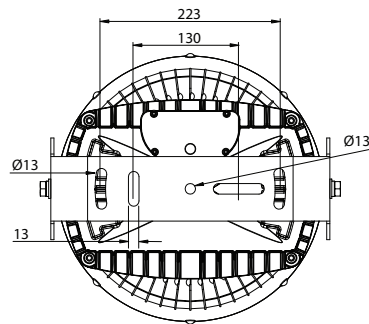
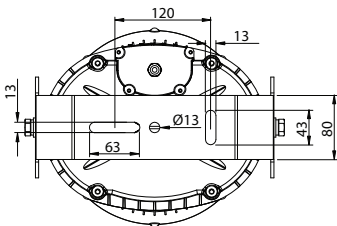
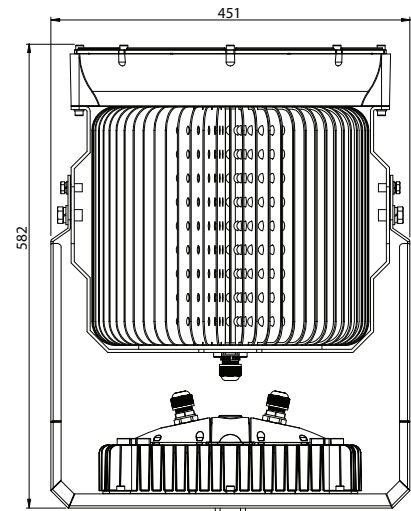
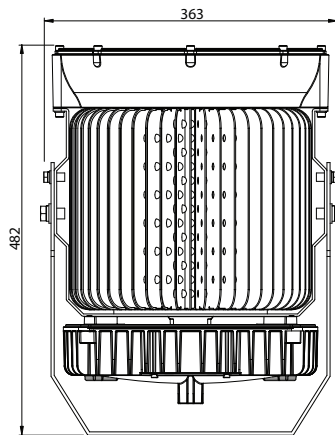
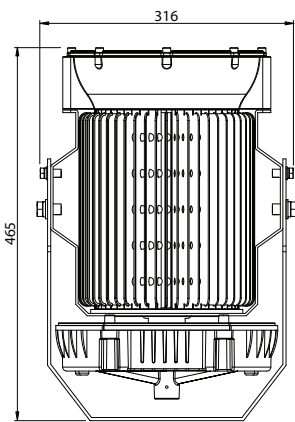
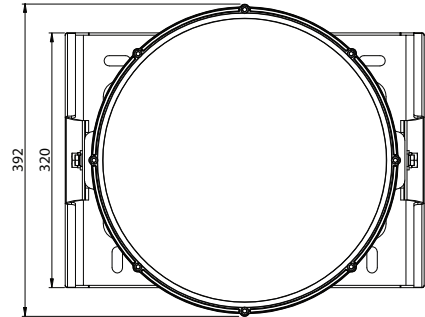
PL-060 / 120



PL-180 / 240



PL-300 / 360



ACCESSORIES



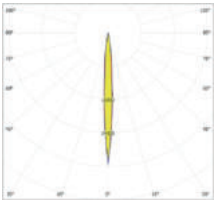
DMX Controller
(Model No: JM-1001)



DMX Controller
(Model No: LC-1001)

PHOTOMETRICS

D07



7°

ORDERING INFORMATION

ORDER CODES

PRODUCT ID:	LED POWER:	COLOUR TEMP:	CRI:	OPTICS:	CONTROL:
PL	060 = 60W	30K = 3000K	70 = Min 70	D07 = 7°	ND = Non-Dimmable
	120 = 120W	40K = 4000K	80 = Min 80		VD = 0-10V Dimmable
	180 = 180W	50K = 5000K			DD = DALI Dimmable
	240 = 240W	57K = 5700K			
	300 = 300W	65K = 6500K			
	360 = 360W				

*PLEASE NOTE: Actual performance may differ as a result of end-user environment and application. All values are typical values measured under laboratory conditions at 25°C. Specifications subject to change without notice.