

AIRIUS[®]

Lighting Solutions



Copernicus PLUS (MCA PLUS)

Modular Canopy Light - PLUS
75w - 200w

PRODUCT INFORMATION

PRODUCT INFORMATION

AIRIUS MODULAR CANOPY LIGHT (MCA Plus) 75W - 200W

The Airius Copernicus Modular Canopy range is designed to solve long lasting issues in the supply and availability of industrial lighting, offering the flexibility to customize optics instantly and build a variety of luminaires on demand.



UNIT OVERVIEW

	Module Max Power (W):	Module Quantity:	Typical System Power (W):	System Efficacy:	Typical Luminous Flux (lm):
MCA-075 PLUS	75W	1	82W	156lm/w	12,800lm
MCA-100 PLUS	100W	1	110W	161lm/w	17,800lm
MCA-150 PLUS	150W	2	165W	155lm/w	25,500lm
MCA-200 PLUS	200W	2	220W	162lm/w	35,800lm



UNIT SPECIFICATIONS

Light Source:	Lumileds / Osram Mid-Power LED
LEDs Per Module:	80
Correlated Colour Temp:	4000K, 5000K, 6500K
Colour Rendering Index:	>70 (or >80 available)
LED Junction Temp:	<75°C (@ Ta=25°C)
Expected Lamp Life:	100,000 Hours
Driver:	Meanwell
Input Voltage Range:	100-305VAC 50/60Hz
Power Factor:	> 0.90
Electrical Class:	Class I
Dimming Control (optional):	0-10V, DALI, Zigbee
Sensor compatible:	Optional microwave or passive infrared motion sensors available
Ambient Operating Temp:	-40°C to +40°C
Ambient Storage Temp:	-25°C to +80°C
Driver Tc:	75°C
Material:	Aluminium (Module), Zinc Galvanized Steel (Bracket)
Optical Cover:	Polycarbonate
Finish:	Black or grey powder coated (customised RAL colour available upon request)

Data provided by manufacturer and is subject to change at anytime

FEATURES & BENEFITS

- Rapid fit optics, customize the light beam to deliver the perfect performance
- Plug and play
- Unique waterproofing concept - instant IP65 rating for the light engines
- >160 lm/W designed to meet and exceed industry performance standards
- Protective UV stabilized powder coated finish
- Compatible with multiple dimming protocols including 0-10V and DALI
- Optional built-in emergency

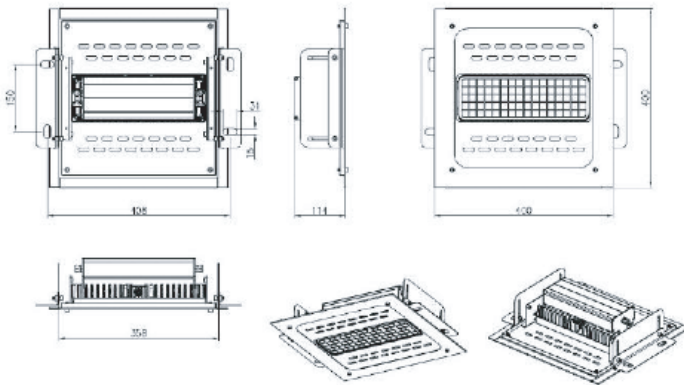
APPLICATIONS

The Airius Copernicus Modular Canopy Light is ideal for;

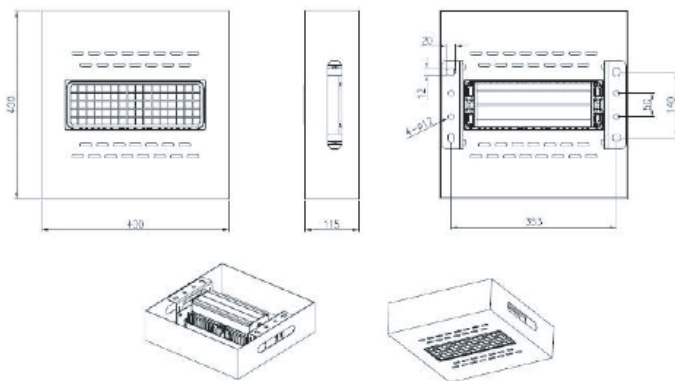
- Petrol stations
- Parking garages
- Storage facilities
- Industrial facilities

DIMENSIONS

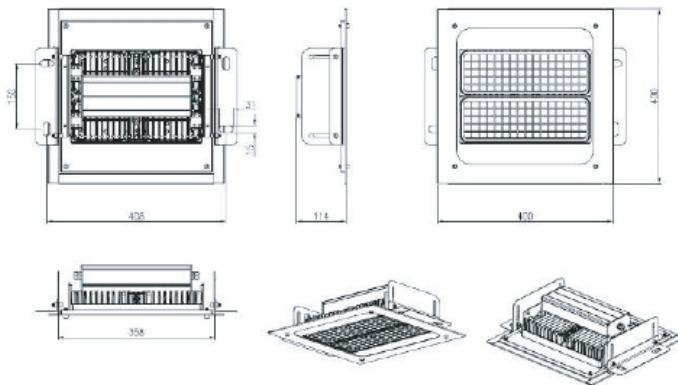
MCA-75 /100- Recess Mounted



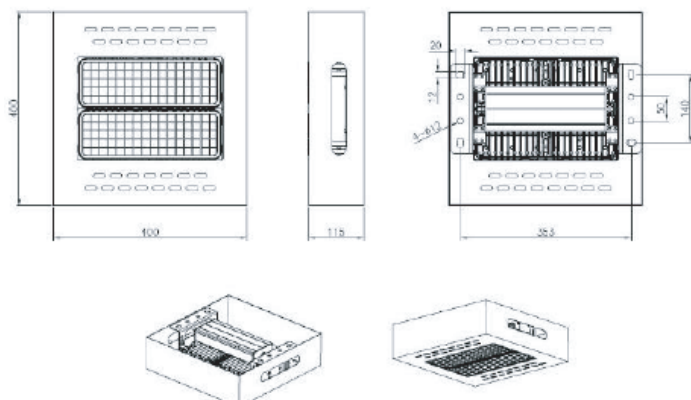
MCA-75 / 100 - Surface Mounted



MCA-150 / 200 - Recess Mounted



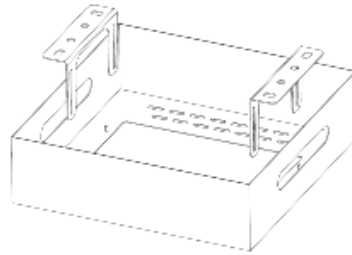
MCA-150 / 200 - Surface Mounted



ACCESSORIES



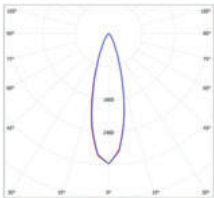
Recess Mounted



Surface Mounted

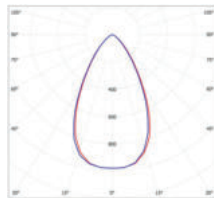
PHOTOMETRICS

D2



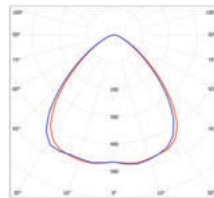
20°x20°
(Narrow Beam)

D6



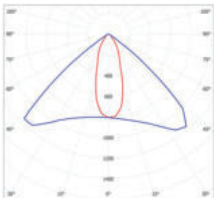
60°x60°
(Medium Beam)

D9



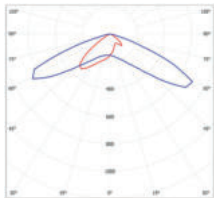
90°x90°
(Wide Beam)

T1



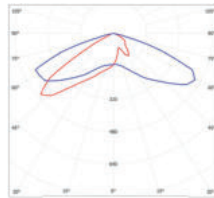
30°x100°

T2



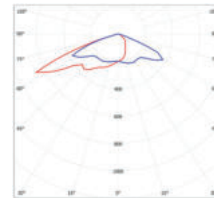
50°x140°

T3



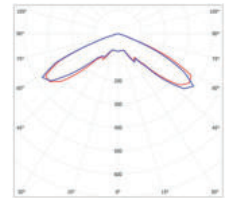
40°x140°

T4



30°x140°

T5



140°x140°

ORDERING INFORMATION

ORDER CODES	PRODUCT ID:	LED POWER:	COLOUR TEMP:	CRI:	OPTICS:	CONTROL:
	MCA PLUS	075 = 75W	40K = 4000K	70 = Min 70	D2 = Round (20°x20°)	ND = Non-Dimmable
		100 = 100W	50K = 5000K	80 = Min 80	D6 = Round (60°x60°)	VD = 0-10V Dimmable
		150 = 150W	65K = 6500K		D9 = Round (90°x90°)	DD = DALI Dimmable
		200 = 200W			T1 = Type I (30°x100°)	
				T2 = Type II (50°x140°)		
				T3 = Type III (40°x140°)		
				T4 = Type IV (30°x140°)		
				T5 = Type V (140°x140°)		

*PLEASE NOTE: Actual performance may differ as a result of end-user environment and application. All values are typical values measured under laboratory conditions at 25°C. Specifications subject to change without notice.