

## DIMENSIONS



## PROPERTIES

UNIT SIZE	Standard	
	Weight:	2.0 kgs
	Height to Rim:	105 mm
	Total Height:	165 mm
Diameter:	240 mm	

MOTOR	230V	
	Watts* @ 50 htz:	10 - 22
	RPM* @ 50 htz:	1,700 - 2,500
	L/S* @ 50 htz (m3/hr):	97 - 145 (349 - 522)
	AMPS* @ 50 htz:	.18

\*Motor data provided by motor manufacturer and is subject to change at anytime

## OPAL SERIES RANGE - MODEL OPAL

### COVERAGE

- Ceiling Height = 2.4m - 7m
- Floor area
  - Cooling (3.5m) = 25m<sup>2</sup>
  - Heating (7m) = 40m<sup>2</sup>

### MOTOR

- Electrically commutated, 92% efficient motor
- EBM Papst EC ESM (Energy Saving Motor)
- Sealed bearings, no lubrication required
- Soft start with thermal overload protection

### OPERATING TEMPERATURES

- Min running temp = - 30° C
- Max running temp = 50° C

### NOISE LEVELS\*

- Sound Pressure Level @ 1 Mts
  - @ 1,700 rpm = 44 dB(A)
  - @ 2,500 rpm = 54 dB(A)

Note: A typical free field environment over a reflecting plane.

\* All acoustic testing undertaken at the EBM- Papst Acoustic Laboratories

Please contact Airius for full Noise Testing Report



### HOUSING & BLADES

- Axial PA plastic fan blade
- PC/ABS Resin
- 5VA flame resistance rating

### INGRESS PROTECTION

- IP55 Rated

### COLOUR

- Cool gray 2C - Off white as standard
- Can be tailor painted to your colour specifications

### SPEED CONTROL

- Two speed factory programmable
- 1,700 rpm, 1,200 rpm or 2,500 rpm @ 50htz

### WARRANTY

- 3 years full manufacturers replacement from date of despatch.

## PLACEMENT

### PREPARATION

- Install electrical circuit(s) and outlet(s) in accordance with national and local electric codes
- Outlets should generally be mounted vertically unless a "twist/locking" type is being used
- Wall switch may be installed in circuit to disable power and prevent electrical hazards when servicing
- Confirm electrical continuity of Airius unit on the ground before permanently mounting in the ceiling

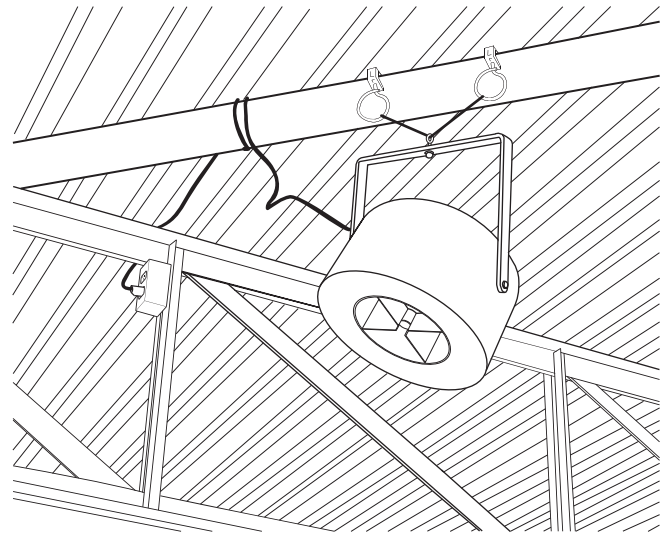
### INSTALLATION

- Hang vertically as high in the ceiling as possible. Typically 300 – 450 mm from the roof deck to intake
- The Airius unit performs best when air column from the nozzle is unimpeded to the floor
- Use professionally installed hardware, capable of supporting a minimum of five times the weight
- Hardware to hang the unit includes but is not restricted to: Hooks, chains, cables, carabiners, bridle rings, beam clamps and bolts
- Density of the placement is directly related to the effectiveness, performance and savings
- Mount out of reach from people and animals
- Floor plans, mezzanines, office locations, machinery, people placement, plumbing, lighting, duct work, electrical systems, natural light/air systems, cranes, doors, windows, ventilation and fire suppression systems are all factors in properly locating the Airius system within the ceiling

**NOTE:-** Air Pears must not be installed directly to structure if they are to be angled. In this case a small length of cable or wire must be used between the handle and the structure to reduce compound twisting torque on the handle.

### OPERATION

- Designed to operate 24 hours-a-day, 7 days-a-week to maintain thermal equalization/humidity equalization
- Use optional speed control to fine tune RPM if needed



### MAINTENANCE

- Frequency of cleaning will vary by application and environment
- You may clean the plastic housing with a damp warm cloth, using mild household detergents
- Do not use petroleum products, thinners or solvents to clean any part of the Airius unit
- If the Airius unit fails, contact manufacturer

### MATERIALS & PROPERTIES

- Constructed from recyclable materials
- The outer shell, stator and fan blades are fire rated 5VA materials
- Power cord is a 3 wire 1.02 mm diameter 300VAC rated electrical cord - CE/EU compliance rated as HO5VV
- No lubrication required. Bearings are sealed



Airius LLC, © 2011. All Rights Reserved.