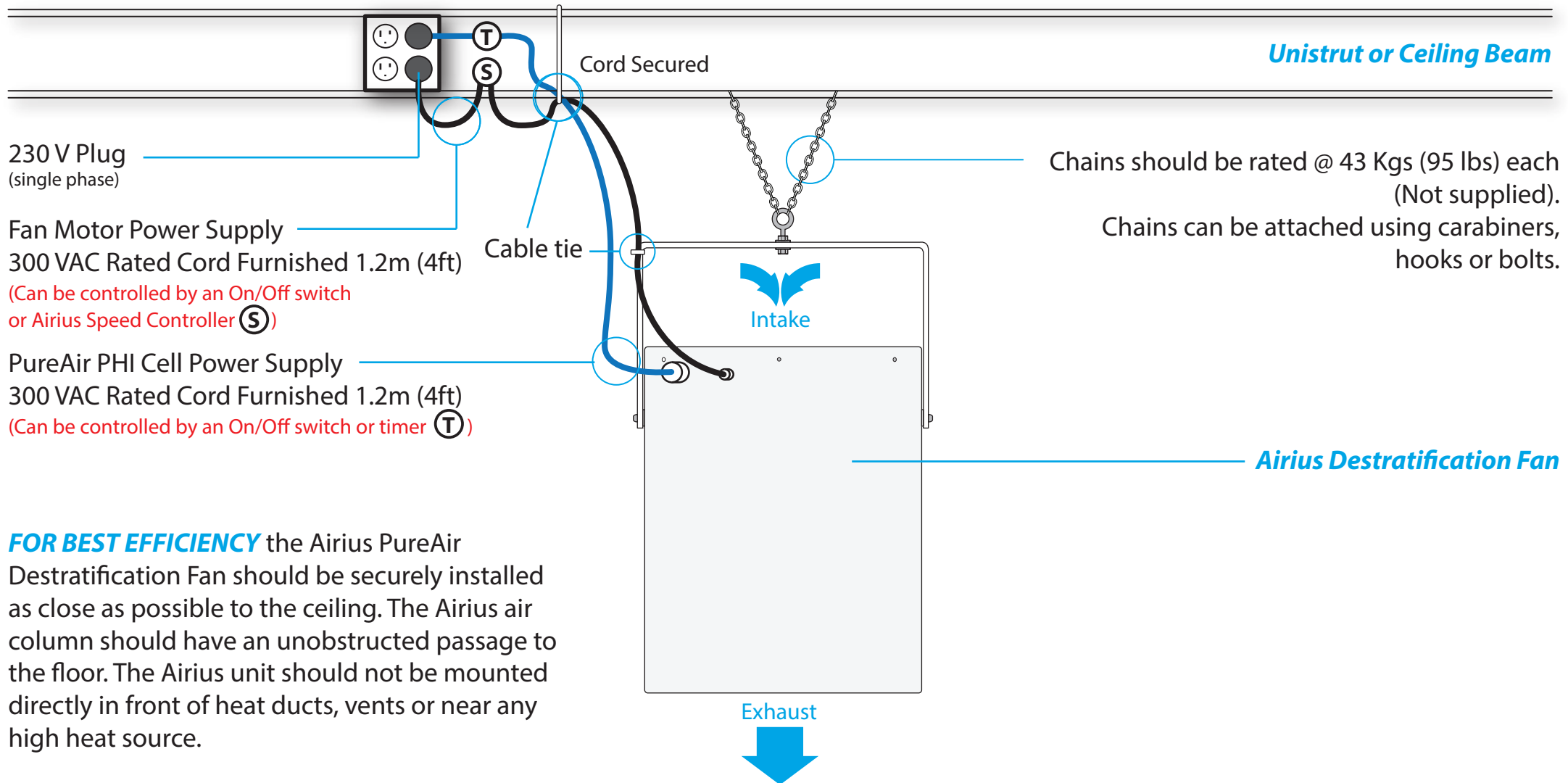
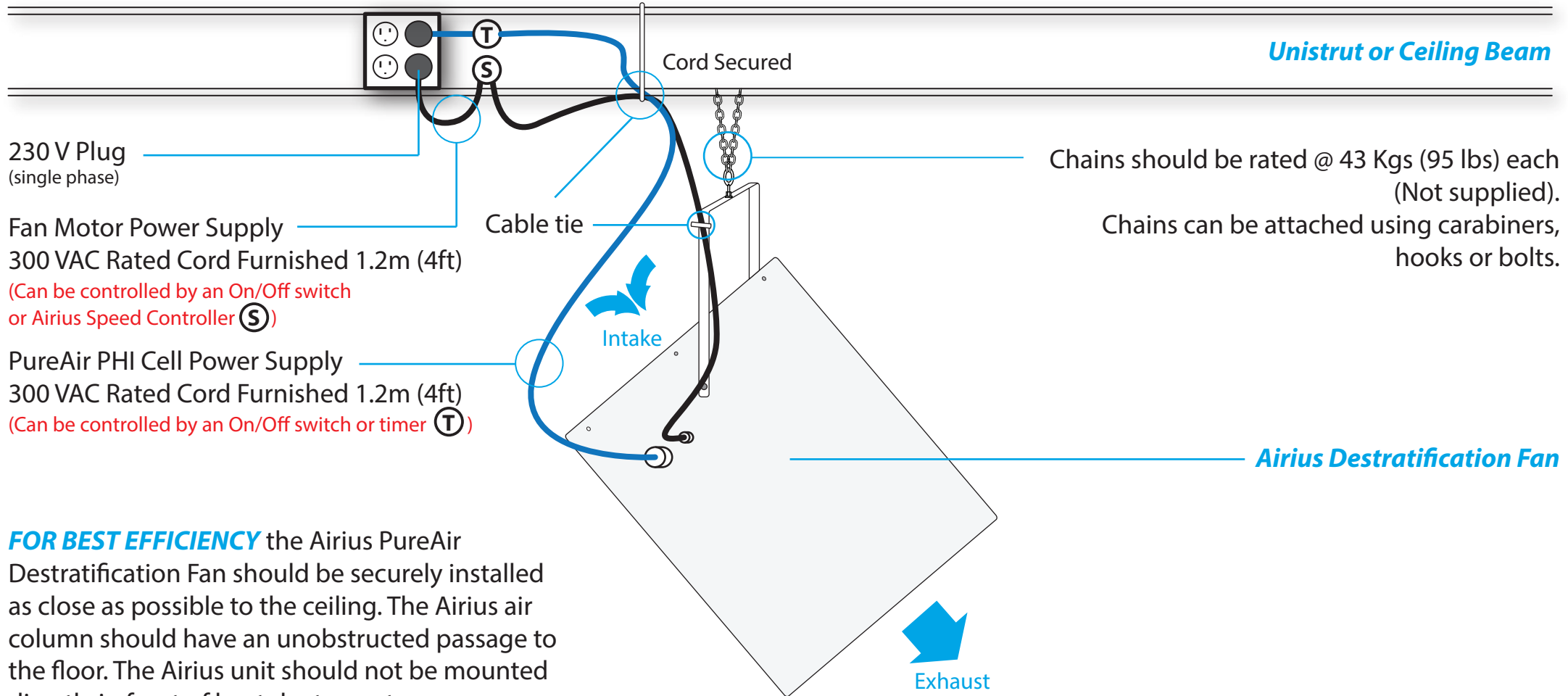


AIRIUS MOUNTING GUIDELINES - PUREAIR PHI DESIGNER SERIES - Model 45



FOR BEST EFFICIENCY the Airius PureAir Destratification Fan should be securely installed as close as possible to the ceiling. The Airius air column should have an unobstructed passage to the floor. The Airius unit should not be mounted directly in front of heat ducts, vents or near any high heat source.

AIRIUS MOUNTING GUIDELINES - PUREAIR PHI DESIGNER SERIES - Model 45 (Angled)



FOR BEST EFFICIENCY the Airius PureAir Destratification Fan should be securely installed as close as possible to the ceiling. The Airius air column should have an unobstructed passage to the floor. The Airius unit should not be mounted directly in front of heat ducts, vents or near any high heat source.